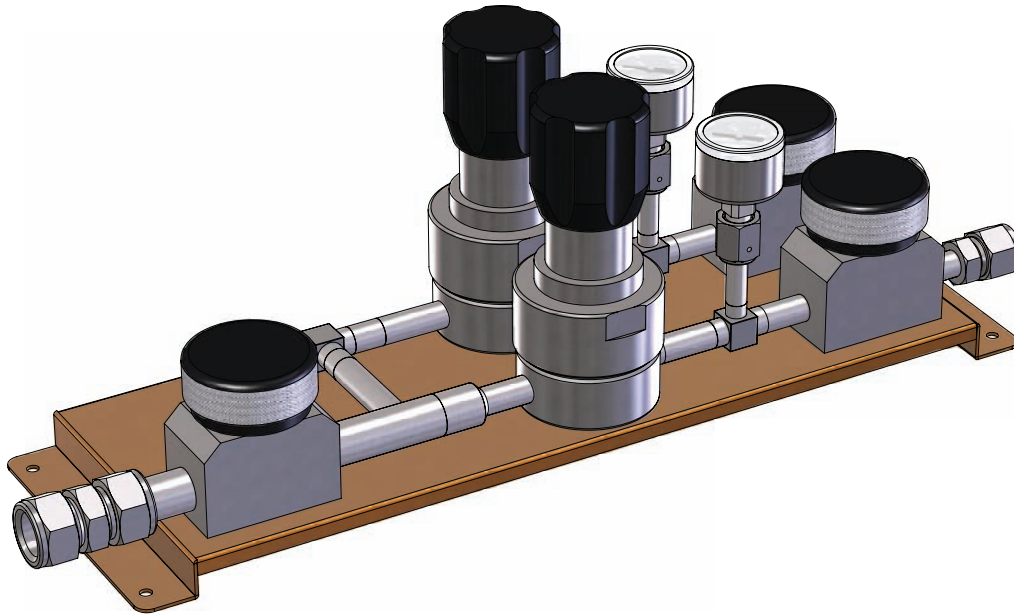


S2 Series Gas Sticks

for FM Series Modules



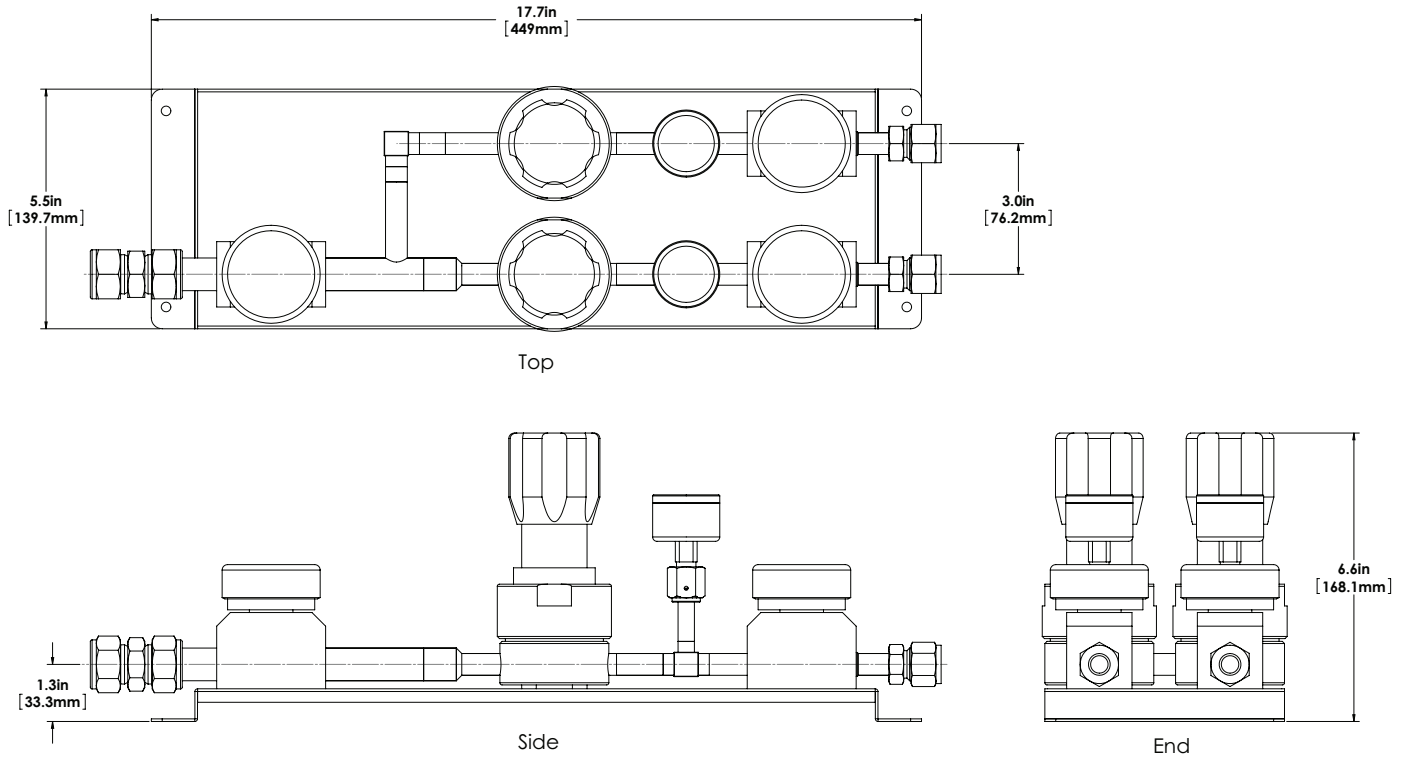
Features

- ▶ Modular Design for FM Series Modules
- ▶ Integrated Lockout/Tagout (LOTO)
- ▶ HP Grade Materials and Finishes
- ▶ Customizable for Service and Capacity
- ▶ Reduce On-Site Cost, Labor, and Risk

Technical Data

SPECIFICATIONS	
Temperature Rating:	-40° to 160°F (-40° to 71°C)
Pressure Rating:	250 psig (17 bar) Inlet
Regulator Outlet Range:	Various ranges from 1 to 150 psig (0.1 to 10 bar)
Regulator Flow Coefficient:	0.9 Cv
Wetted Surface Roughness:	< 15 μ in Ra, Electropolished
End Connections:	½", ¾" Dual Ferrule Compression

Dimensions



Ordering Information

S2-T-2-V

Series Type
S2 - High Flow

Regulator
R - 1 to 30 psig (0.07 to 2 bar)
S - 1-60 psig (0.07 to 4 bar)
T - 2 to 100 psig (1.14 to 7 bar)
U - 5 to 150 psig (0.34 to 10 bar)

Ports
Specify Quantity
(Maximum 2)

Seat Options
blank - PCTFE
V - Vespel™