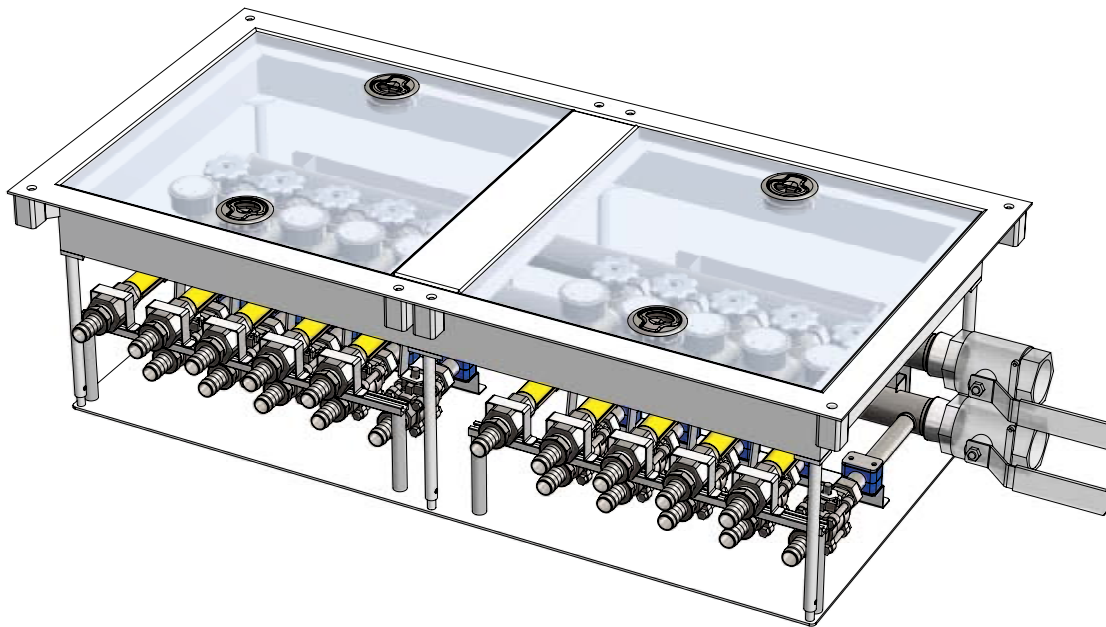


FM2 Series Floor Module

PCW Hook-Up



Features

- ▶ Field Replaceable PCW Sticks
- ▶ Individual Flow, Balance, Pressure, Temperature & Shut-Off for each connection
- ▶ Robust Header and Stick Design
- ▶ Replaces Standard Raised Floor Tiles
- ▶ Available with Telescopic Frame or Full Containment Enclosure
- ▶ Reduce On-Site Cost, Labor, and Risk

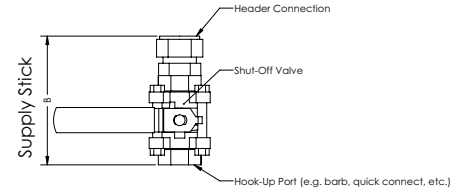
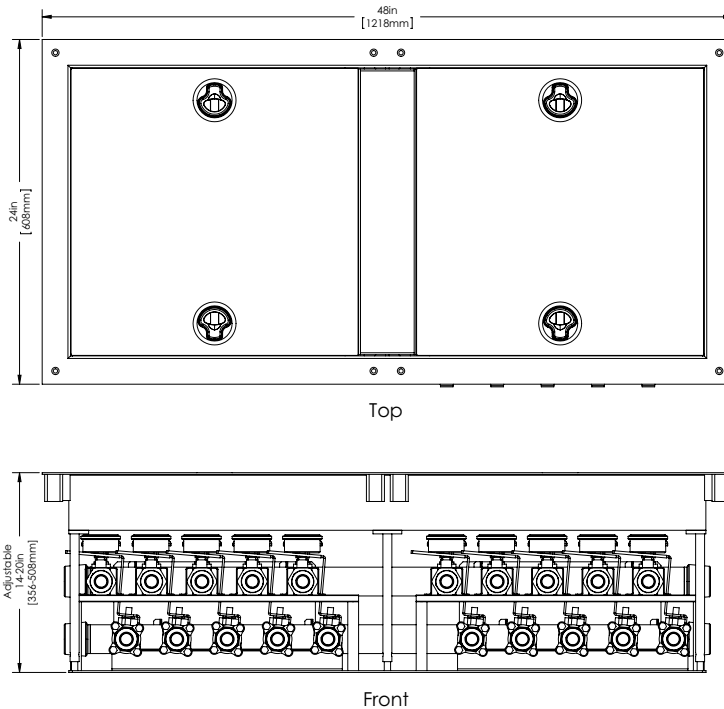
Technical Data

SPECIFICATIONS

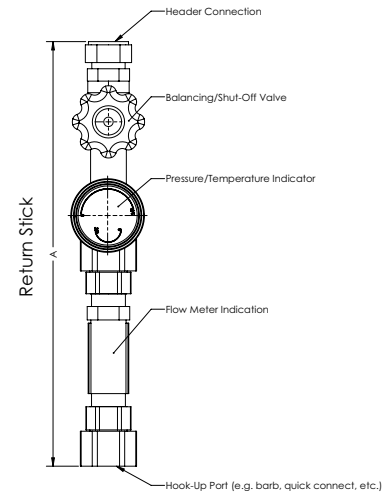
Temperature Rating:	10°F (-12°C) to 200°F (90°C)*
Pressure Rating:	150 psig (10 bar) @ 70°F (21°C)
Regulator Outlet Range (Optional):	10 psig (0.5 bar) to 100 psig (7 bar)

* *Dependent on stick type.*

Dimensions



SIZE	LENGTH A	LENGTH B
1/2"	14.5"	3.4"
3/4"	15.2"	4.2"
1"	16.1"	5"



Ordering Information

FM2T - LG - 1.625 - H - 1E - 5E5D - B - LL

Series Type

FM2T – Telescopic
FM2E – Enclosure

Lid Type

LG – Layered Composite (1 Piece, Clear)
AC – Lexan w/Support (2 Piece)

Raised Floor Tile Height (in.)

Header Size

G – 1.5" diameter
H – 2.0" diameter

Stick Type

1E – PW Series
1N – NE Series 1
2N – NE Series 2

Header Valves (Supply/Return)

X – None
L – Ball
D – Diaphragm
R – Pressure Regulator (supply only)

Stick End Connections

B – Barb
Q – Quick Disconnect
N – NPT(F)
P – PVC Socket

Sticks (Qty/Size)

C – 1/2" (0-5 gpm flowmeter)
D – 3/4" (0-10 gpm flowmeter)
E – 1" (0-20 gpm flowmeter)