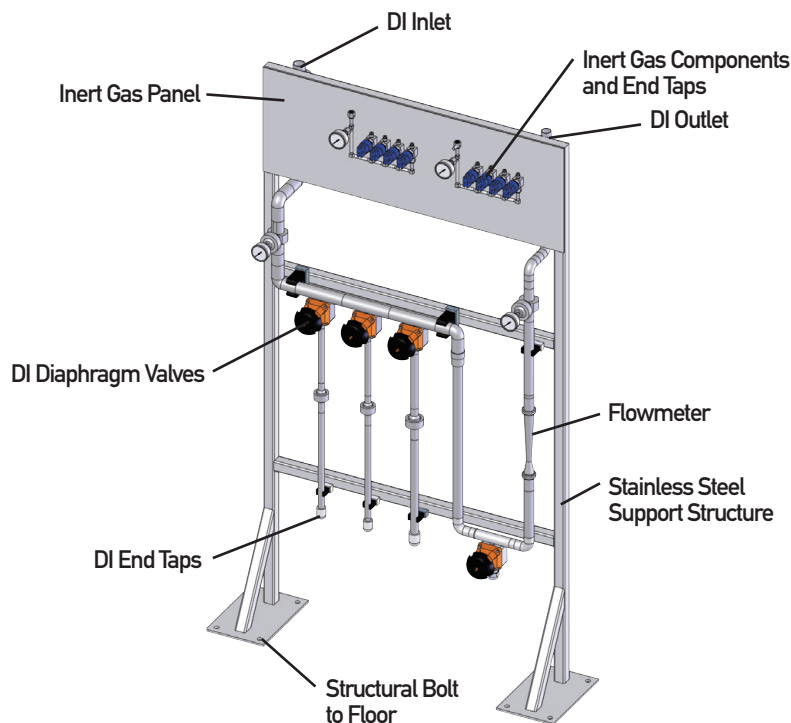
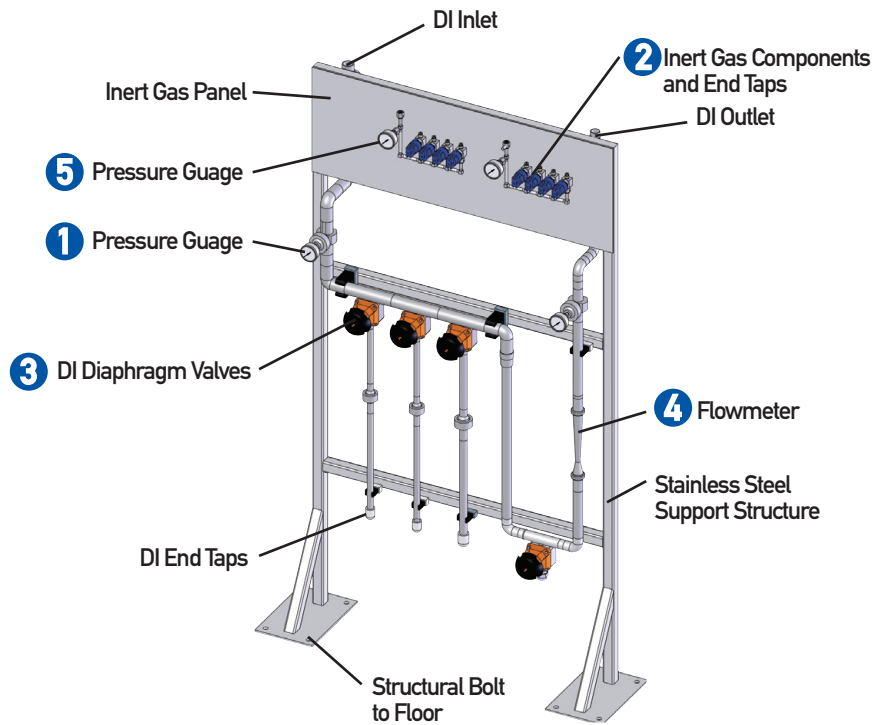


## Sub-fab DI Utility Module

### Features

- Compact Process Utilities Modules™ allow dense packing of the pre-fabricated utilities
- Multiple service rack that can accommodate DI, N<sub>2</sub>, CDA, OFA, Ar, He, etc. distribution rack system for either sub-fab or process level installation
- Compact design is ideal for applications where space and time installation is limited
- Piping constructed with high quality materials
- Component standardization simplifies maintenance, hook-up and operation
- Available in different sizes of width and height
- Modules can be quickly disconnected and relocated with the manufacturing tool to a different location
- Distribution rack serves all peripheral equipment, other modules, or direct to process tool per the owner's requirements
- Customized module configurations available





Part Number	Description	Quantity
1 C-122	Mykrolis Back Mount Pressure Gauge (0-160psig)	2
2 6LVV-DPLVR4-P	Swagelok 1/4" DP Series Diaphragm Valve with Locking Handle	8
3 175 319 307 or equivalent	+GF+ 32x20mm Type 319 ZS Valve PVDF HP	4
4 198 801 202 or equivalent	+GF+ 32mm Flowmeter (0.6-3.5GPM)	1
5 63-1008-SL-02B-160#	Ashcroft Pressure Gauge or industry standard	2

### Available Options

- Model Size: 2 - 8 Port Configuration
- Piping Material: PVDF or Per Specifications
- Header Inlet Size: 1/2" - 2"
- Header Inlet Type: PVDF
- End Tap Size: 1/2" - 2"
- End Tap Type: PVDF
- Flowmeter: King, +GF+, or Equivalent
- Filter: Optional



340 Avenue D, Suite #40  
Williston, VT 05495 USA